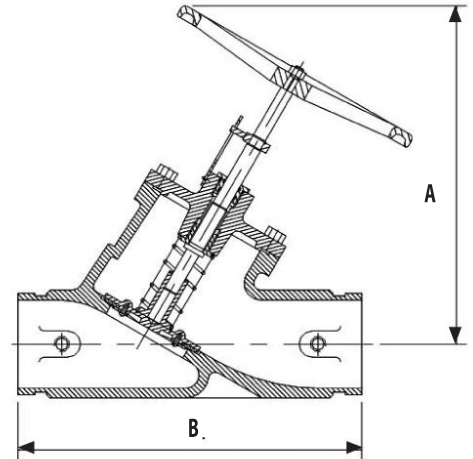


# Triple Duty Valve (Grooved End) Globe Style

## Features:

- Sizes 2" to 12"
- Flow Regulator Valve
- Back Flow Preventor
- Positive Shutoff Valve
- HWO Operated
- Grooved End according to AWWA C606
- 16 Bar or 200WOG Working Pressure
- External and internal parts Epoxy Powder coated



PART NUMBER	SIZE		HEIGHT A		LENGTH B	
	(IN.)	(MM)	(IN.)	(MM)	(IN.)	(MM)
TDV-002GR	2	50	11 3/4	300	9	230
TDV-025GR	2 1/2	65	12 5/8	320	11 7/16	290
TDV-003GR	3	80	13 3/4	350	12 13/16	310
TDV-004GR	4	100	17 7/8	455	13 3/4	350
TDV-005GR	5	125	20 5/16	515	15 3/4	400
TDV-006GR	6	150	20 1/2	565	18 7/8	480
TDV-008GR	8	200	27 15/16	710	23 5/8	600
TDV-010GR	10	250	34 1/4	895	28 3/4	730
TDV-012GR	12	300	39 3/8	1000	33 1/2	850

## Bill of Materials

DESCRIPTION	MATERIAL
Body and Yoke	DI, ASTM A536 Gr. 65-45-12
Disc	Stainless Steel, SS304
Gasket	EPDM
Disc Seat	EPDM
Spring	Stainless Steel, SS304
Handwheel	CI, ASTM A126 Class B
Indicator	Aluminium
Indicator Plate	Aluminium

All packaging materials, thread protectors, plastic plugs and caps must be removed before installation.

Dimensions are subject to change without notice, please confirm actual dimensions with factory at time of order.

JOB NAME _____
LOCATION _____
_____
_____
CONTRACTOR _____
CONTRACTOR P.O. NO. _____

ITEMS	QUANTITY
_____	_____
_____	_____
_____	_____
_____	_____
_____	_____
_____	_____

**American WHEATLEY**  
HVAC PRODUCTS®  
A GFP COMPANY

2701 W. Concord Street  
Broken Arrow, OK 74012  
Toll Free: 866-204-5229  
PH: 918-317-0401  
FAX: 918-317-0407  
www.wheatleyhvac.com  
e-mail: sales@globalflowproducts.com