

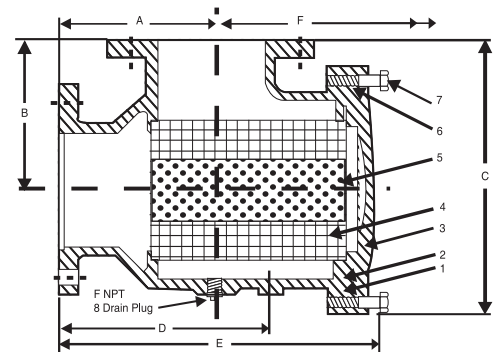
Wheatley HVAC Flow Diverter

(Discontinued 2016 - Parts Still Available)

The American HVAC Flow Diverter is a combination of a 3/16" Stainless Steel Strainer and a Ninety Degree Elbow in a Class 125/150 Flanged Ductile Iron Body design to save space and money. The integral vanes maximize flow efficiencies into the pump and the strainer offers pump protection. The bottom plug can be used as a blow down connection or adapted to a magnetic plug. Additionally, the integral boss located at the bottom of the Diverter can be adapted for use as a foot support.



The Ductile Iron Body allows for pressures to 285 PSI (Class 150 Steel Flange Rating) and all the American HVAC Flow Diverters are tested to 400 PSI. Flanged Diverters can be used with corresponding A105 Class 150 Steel Flanges.



Features:

- Available in sizes 2" x 1 1/2" through 12"x12"
- Ductile iron bodies
- Flanged inlet-outlet connections
- Separate fine mesh start up screen surrounds each perforated screen
- Bottom integral boss can be adapted for foot support
- Drain/purge plugs for removal of foreign particles without disassembly
- Class 125/150
- Painted Exterior

Bill of Materials

ITEM	DESCRIPTION	MATERIAL
1	Body	ASTM A536 Ductile Iron/Class 125/150
2	O'ring	Nitrile Rubber O'Ring
3	Cover	ASTM A536 Ductile Iron
4	Screen	3/16" Perf 304SS Screen
5	Start up Screen	20 Mesh (400 perf.) 304SS Corrosive Resistant
6	Bolts	ASTM 304 Stainless Steel
7	Nuts	ASTM 304 Stainless Steel
8	Plug	ASTM A536 Ductile Iron

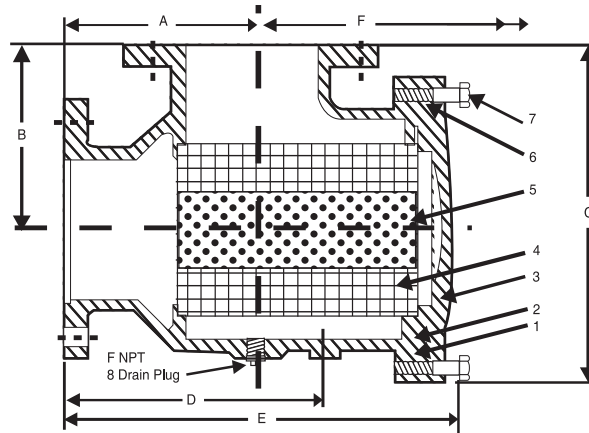
Multi-function Benefits:

- Saves cost and space by replacing: 90° Elbow, strainer and flow stabilizing piping

All packaging materials, thread protectors, plastic plugs and caps must be removed before installation.

Dimensions are subject to change without notice, please confirm actual dimensions with factory at time of order.

JOB NAME _____ LOCATION _____ _____ _____ CONTRACTOR _____ CONTRACTOR P.O. NO. _____	<table style="width: 100%; border-collapse: collapse;"> <thead> <tr> <th style="width: 50%;">ITEMS</th> <th style="width: 50%;">QUANTITY</th> </tr> </thead> <tbody> <tr><td>_____</td><td>_____</td></tr> <tr><td>_____</td><td>_____</td></tr> <tr><td>_____</td><td>_____</td></tr> <tr><td>_____</td><td>_____</td></tr> <tr><td>_____</td><td>_____</td></tr> <tr><td>_____</td><td>_____</td></tr> </tbody> </table>	ITEMS	QUANTITY	_____	_____	_____	_____	_____	_____	_____	_____	_____	_____	_____	_____	<p style="text-align: center;">A GFP COMPANY</p> <p style="text-align: center;">2701 W. Concord Street Broken Arrow, OK 74012 Toll Free: 866-204-5229 PH: 918-317-0401 FAX: 918-317-0407 www.wheatleyhvac.com e-mail: sales@globalflowproducts.com</p>
ITEMS	QUANTITY															
_____	_____															
_____	_____															
_____	_____															
_____	_____															
_____	_____															
_____	_____															



PART NUMBER	INLET	OUTLET	DIMENSIONS (IN)						NPT PLUG	PIPE SUPPORT	WEIGHT (LBS)
			A	B	C	D	E	F			
FD0215	2	1 1/2	4 1/2	4 1/2	6 7/8	6 1/8	9 3/8	8 7/8	3/4	1.00	20
FD0202	2	2	4 1/2	4 1/2	6 7/8	6 1/8	9 3/8	8 7/8	3/4	1.00	23
FD2502	2 1/2	2	5	5	7 5/8	6 1/2	10 3/8	9 3/8	3/4	1 1/2	30
FD2525	2 1/2	2 1/2	5	5	7 5/8	6 1/2	10 3/8	9 3/8	3/4	1 1/2	35
FD0302	3	2	5 1/2	5 1/2	8 1/2	7 1/8	10 7/8	9 3/8	3/4	1 1/2	42
FD0325	3	2 1/2	5 1/2	5 1/2	8 1/2	7 1/8	10 7/8	9 3/8	3/4	1 1/2	48
FD0303	3	3	5 1/2	5 1/2	8 1/2	7 1/8	10 7/8	9 3/8	3/4	1 1/2	52
FD0403	4	3	6 1/2	6 1/2	11	8 3/4	12 1/4	11 1/8	1	1 1/2	66
FD0404	4	4	6 1/2	6 3/4	11	8 3/4	12 1/4	11 1/8	1	1 1/2	72
FD0504	5	4	7 1/2	7 1/2	13	14 7/8	14 7/8	14 1/2	1	1 1/2	93
FD0505	5	5	7 1/2	7 1/2	13	14 7/8	14 7/8	14 1/2	1	1 1/2	100
FD0604	6	4	8	8	14 1/2	10 1/2	16	16 1/4	1	1 1/2	122
FD0605	6	5	8	8	14 1/2	10 1/2	16	16 1/4	1	1 1/2	134
FD0606	6	6	8	8	14 1/2	10 1/2	16	16 1/4	1	1 1/2	140
FD0806	8	6	9	9	11 1/2	11 1/2	18	18	1	1 1/2	170
FD0808	8	8	9	9	16 7/8	11 3/4	19 5/8	22 1/8	1 1/4	1 1/2	245
FD1008	10	8	9	11	18 7/8	11 3/4	19 5/8	22 1/8	1 1/4	1 1/2	264
FD1010	10	10	11	11	20 3/4	14	25 1/4	29 7/8	1 1/4	1 1/2	461
FD1208	12	8	9	12	21 3/4	11 3/4	19 5/8	22 1/8	1 1/4	1 1/2	316
FD1210	12	10	11	12	21 3/4	14	25 1/4	29 7/8	1 1/4	1 1/2	460
FD1212	12	12	12	12	21 3/4	15 1/4	25	28 5/8	1 1/4	1 1/2	490

*Perforated basket includes fine mesh start-up screen. Start-up screen should be removed and disposed of after 1 month of operation.

**Pipe Support supplied by contractor.