

WSV Series Wheatley Surge Vessels

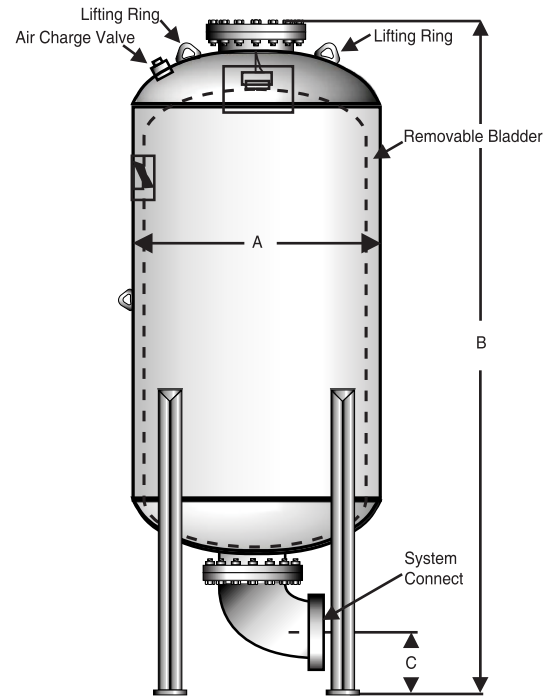
American Wheatley WSV is intended to control water hammer shock, as well as pump start/stop surges in commercial, industrial, and municipal applications. Fabricated with a large inlet connection to minimize pressure drop.

Features:

- Constructed in accordance with ASME Section VIII, Division I, Latest Edition
- Carbon Steel Construction
- Heavy Duty Butyl Bladder
- Factory Air Charged to 30 P.S.I. and adjustable in field
- Maximum Design Pressure 125 to 500 PSI
- Maximum Temperature 240°F Intermittent
- Charging Valve 32 NC 0.302"
- Primed Exterior

Optional Features:

- Other materials of construction and bladder available
- Higher working pressures available
- Painted Exterior, Epoxy Coatings



PART NUMBER*	ACCEPTANCE VOLUME	DIAMETER A (IN.)	HEIGHT B (IN.)	FLG CTR TO FLOOR C (IN.)	SYSTEM CONNECT (IN.)	WEIGHT (LBS.)
WSV-0035	10	12"	39"	TBD	2 1/2"	63
WSV-0050	13	14"	39"	TBD	2 1/2"	74
WSV-0085	23	16"	46"	TBD	3"	116
WSV-0130	35	20"	46"	TBD	3"	135
WSV-0200	53	24"	52"	TBD	4"	250
WSV-0300	79	24"	64"	TBD	4"	360
WSV-0400	106	30"	58"	TBD	6"	430
WSV-0500	132	30"	65 1/2"	TBD	6"	525
WSV-0600	158	30"	73 7/2"	TBD	6"	640
WSV-0700	185	30"	79"	TBD	6"	749
WSV-800L	211	32"	84"	TBD	6"	760

*Specify G=Grooved pipe, F=Flanged or NPT system connection

All packaging materials, thread protectors, plastic plugs and caps must be removed before installation.

Dimensions are subject to change without notice, please confirm actual dimensions with factory at time of order.

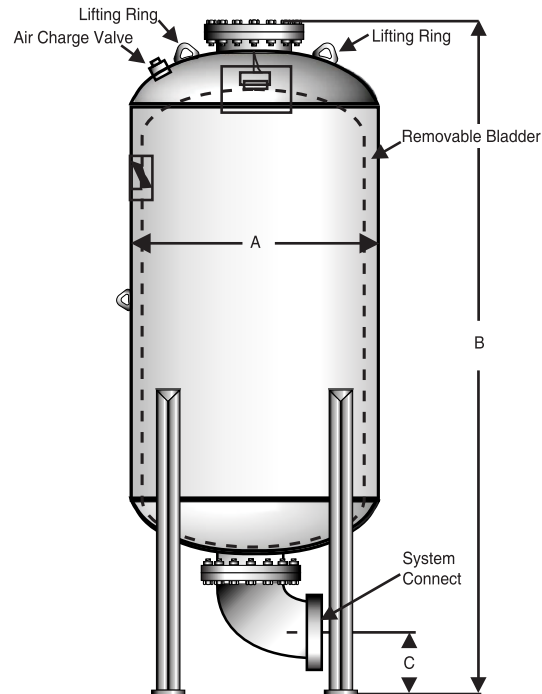
JOB NAME _____
 LOCATION _____

 CONTRACTOR _____
 CONTRACTOR P.O. NO. _____

ITEMS	QUANTITY
_____	_____
_____	_____
_____	_____
_____	_____
_____	_____



2701 W. Concord Street
 Broken Arrow, OK 74012
 Toll Free: 866-204-5229
 PH: 918-317-0401
 FAX: 918-317-0407
 www.wheatleyhvac.com
 e-mail: sales@globalflowproducts.com



Bill of Materials

Part No.	Part Name	Material
1	Body	Carbon Steel
2	External Finish	Primer
3	System Connection	Carbon Steel
4	Support Stand	Skirt and/or legs per customer specification
5	Bladder	Heavy Duty Butyl Bladder NSF Certified

Typical Specification

Furnish and install, as shown on plans, a _____gallon_____” d x _____”h pre-charged surge tank with heavy-duty butyl bladder. The tank shall have flanged or grooved system connections and a 0.302”-32 charging valve connection to facilitate the on-site charging of the tank to meet system requirements. The tank must be constructed in accordance with most recent addendum of Section VIII Division 1 of the ASME Boiler and Pressure Vessel Code. Each tank shall be Wheatley model number WSV-_____ or approved equal.