

WSV Large Series Wheatley Surge Vessels

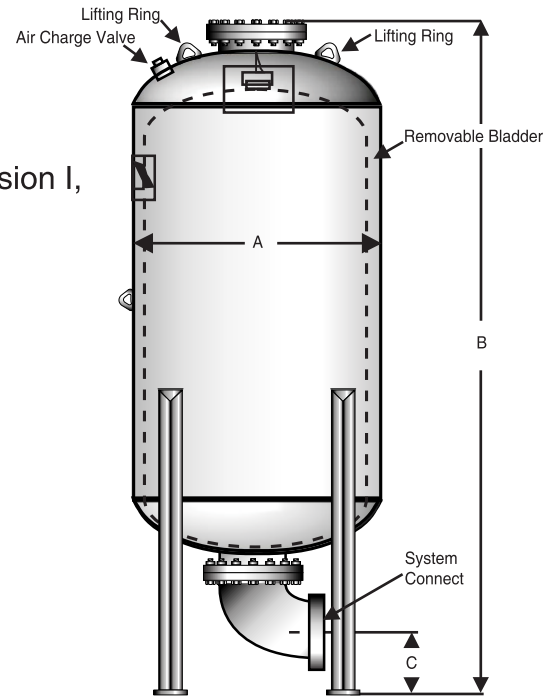
American Wheatley WSV is intended to control water hammer shock, as well as pump start/stop surges in commercial, industrial, and municipal applications. Fabricated with a large inlet connection to minimize pressure drop.

Features:

- Constructed in accordance with ASME Section VIII, Division I, Latest Edition
- Carbon Steel Construction
- Heavy Duty Butyl Bladder
- Factory Air Charged to 30 P.S.I. and adjustable in field
- Maximum Design Pressure 125 to 500 PSI
- Maximum Temperature 240°F Intermittent
- Charging Valve 3/2 NC 0.302"
- Primed Exterior

Optional Features:

- Other materials of construction and bladder available
- Higher working pressures available
- Level Gauge
- Painted Exterior, Epoxy Coatings



PART NUMBER	ACCEPTANCE VOLUME (GAL.)	DIAMETER A (IN.)	HEIGHT B (IN.)	FLG CTR TO FLOOR C (IN.)	SYSTEM CONNECT (IN.)	WEIGHT (LBS.)
WSV-1000	264	36"	96"	TBD	10"	788
WSV-1200	317	36"	107"	TBD	10"	1,062
WSV-1400	370	36"	119"	TBD	10"	1,263
WSV-1600	422	48"	92"	TBD	10"	1,627
WSV-2000	528	48"	105"	TBD	10"	1,924
WSV-2500	660	48"	122"	TBD	10"	2,235
WSV-3000L	792	48"	138"	TBD	10"	2,643
WSV-4000	1056	60"	133"	TBD	10"	2,817
WSV-5000	1320	60"	152"	TBD	10"	3,549
WSV-7500	1980	72"	165"	TBD	10"	4,261
WSV-10000	2640	72"	196"	TBD	10"	6,254
WSV-15000	3963	72"	261"	TBD	12"	12,030
WSV-20000	5284	84"	272"	TBD	12"	16,262

All packaging materials, thread protectors, plastic plugs and caps must be removed before installation. Dimensions are subject to change without notice, please confirm actual dimensions with factory at time of order.

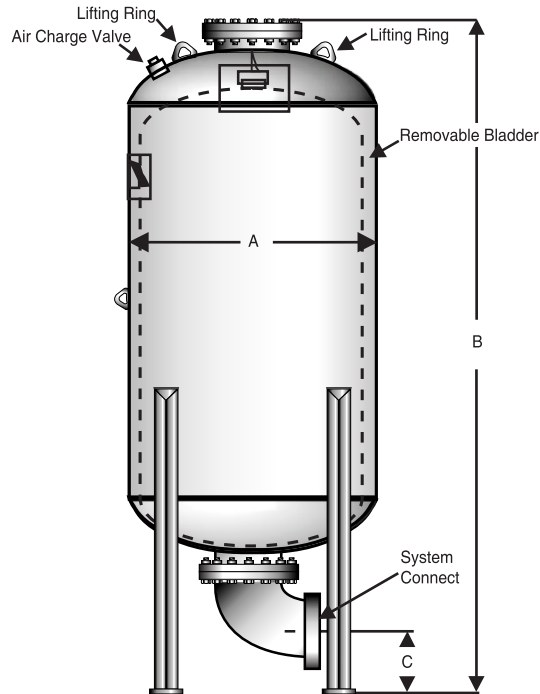
JOB NAME _____
 LOCATION _____

 CONTRACTOR _____
 CONTRACTOR P.O. NO. _____

ITEMS	QUANTITY
_____	_____
_____	_____
_____	_____
_____	_____
_____	_____
_____	_____

American WHEATLEY
HVAC PRODUCTS®
A GFP COMPANY

2701 W. Concord Street
 Broken Arrow, OK 74012
 Toll Free: 866-204-5229
 PH: 918-317-0401
 FAX: 918-317-0407
 www.wheatleyhvac.com
 e-mail: sales@globalflowproducts.com



Bill of Materials

Part No.	Part Name	Material
1	Body	Carbon Steel
2	External Finish	Primer
3	System Connection	Carbon Steel
4	Support Stand	Skirt and/or legs per customer specification
5	Bladder	Heavy Duty Butyl Bladder NSF Certified

Typical Specification

Furnish and install, as shown on plans, a _____gallon_____” d x _____”h pre-charged surge tank with heavy-duty butyl bladder. The tank shall have flanged or grooved system connections and a 0.302”-32 charging valve connection to facilitate the on-site charging of the tank to meet system requirements. The tank must be constructed in accordance with most recent addendum of Section VIII Division 1 of the ASME Boiler and Pressure Vessel Code. Each tank shall be Wheatley model number WSV-_____ or approved equal.