

# Vertical Flash Tank

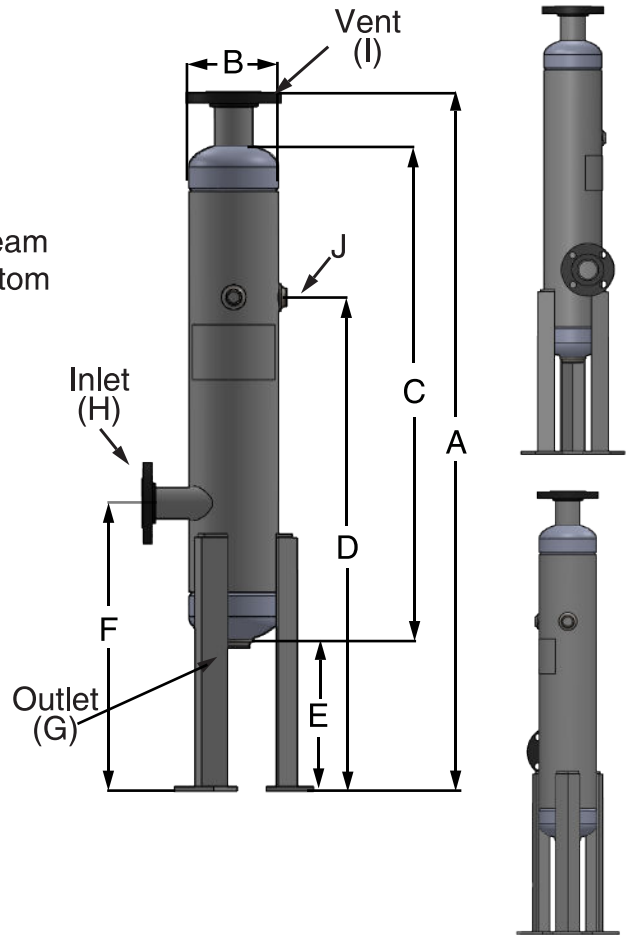
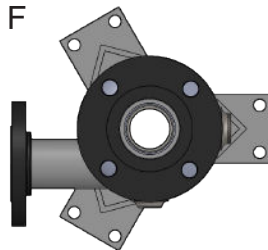
Designed for flashing of high pressure condensate into steam and low pressure heating supply mains. Orientation of vertical design allows for a smaller footprint where needed. As the high pressure condensate moves from the top of the tank to the bottom, some of the flash steam is re-evaporated through the steam trap and released. The remaining condensate is separated from the remaining flash steam and is then drained through the steam trap at the bottom of the vessel. These reduce steam pressure prior to returning to either condensate tanks, boilers, or discharge into sewer mains.

**Features:**

- Constructed in accordance with ASME Section VIII, Division I, Latest Edition
- Carbon Steel Construction
- Working Pressure 150 PSI
- Maximum Temperature 450° F
- Red Oxide Primer

**Optional Features:**

- Exterior Coatings



All packaging materials, thread protectors, plastic plugs and caps must be removed before installation. Dimensions are subject to change without notice, please confirm actual dimensions with factory at time of order.

| PART NUMBER | HEIGHT A (IN.) | DIAMETER |         | E (IN.) | F (IN.) | NPT OPENINGS |         |         |         |         | WEIGHT (LBS) |
|-------------|----------------|----------|---------|---------|---------|--------------|---------|---------|---------|---------|--------------|
|             |                | B (IN.)  | C (IN.) |         |         | D (IN.)      | G (IN.) | H (IN.) | I (IN.) | J (IN.) |              |
| FT-006-VRT  | 51             | 6        | 36      | 36      | 9 1/2   | 21           | 1 1/2   | 2       | 2 1/2   | 3/4     | 78           |
| FT-008-VRT  | 52             | 8        | 36      | 36      | 9 1/2   | 21           | 1 1/2   | 3       | 4       | 1       | 110          |
| FT-012-VRT  | 55 3/8         | 12       | 40      | 40      | 9 1/2   | 23           | 2       | 4       | 6       | 1 1/2   | 167          |
| FT-016-VRT  | 63 1/2         | 16       | 48      | 48      | 9 1/2   | 26           | 2       | 6       | 6       | 2       | 220          |

JOB NAME \_\_\_\_\_  
 LOCATION \_\_\_\_\_  
 \_\_\_\_\_  
 \_\_\_\_\_  
 CONTRACTOR \_\_\_\_\_  
 CONTRACTOR P.O. NO. \_\_\_\_\_

| ITEMS | QUANTITY |
|-------|----------|
| _____ | _____    |
| _____ | _____    |
| _____ | _____    |
| _____ | _____    |
| _____ | _____    |

**American WHEATLEY**  
HVAC PRODUCTS®  
A GFP COMPANY

2701 W. Concord Street  
 Broken Arrow, OK 74012  
 Toll Free: 866-204-5229  
 PH: 918-317-0401  
 FAX: 918-317-0407  
 www.wheatleyhvac.com  
 e-mail: sales@globalflowproducts.com