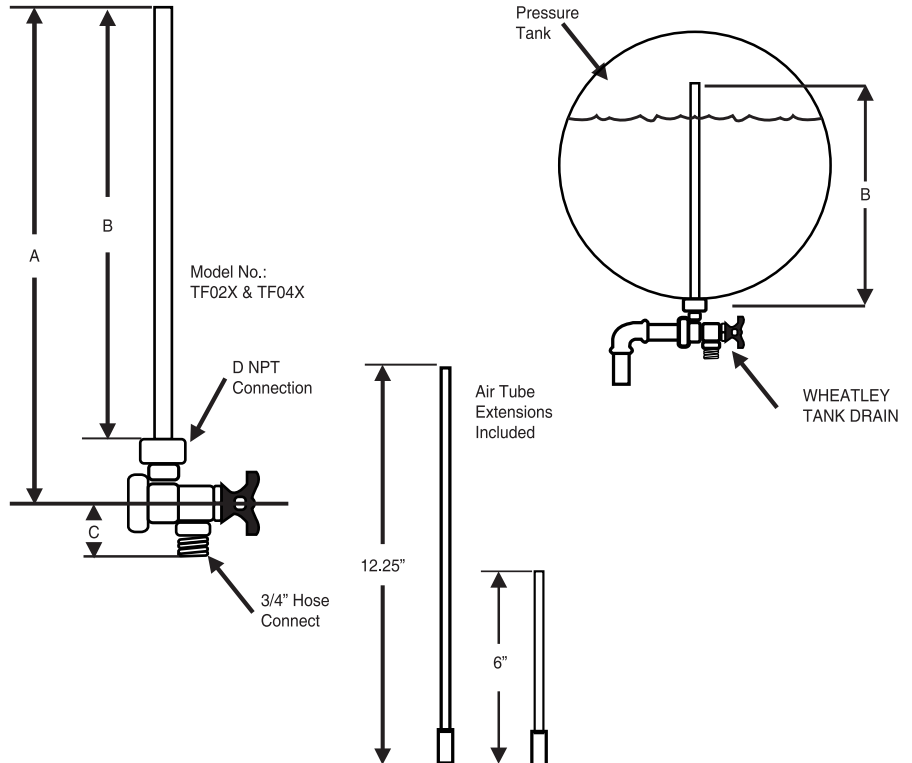


Model TF-050 and TF-075 Tank Drain and Fill

Features:

- Cast Bronze Body
- Copper Vent Tubes
- Maximum Temperature 240°F
- Maximum Pressure 125 PSG
- Extensions of 6" and 12 1/4" included, providing the option of four vent tube lengths



| PART NUMBER | TANK DIAM. (IN.) | TOTAL HEIGHT A (IN.) | STANDARD TUBE LGT B (IN.) | TUBE LENGTH w/EXTENSION | | | CRT LINE TO BOTTOM C (IN.) | NPT CONN. D (IN.) |
|-------------|------------------|----------------------|---------------------------|-------------------------|---------|---------|----------------------------|-------------------|
| | | | | 6" | 12" | 6"+12" | | |
| TF-050 | 14" or less | 12 11/16" | 11 | - | - | - | 1 3/16" | 1/2" |
| | 20" | 18 3/16" | - | 16 1/2" | - | - | 1 3/16" | 1/2" |
| | 24" | 24 7/16" | - | - | 22 3/4" | - | 1 3/16" | 1/2" |
| | 30" | 29 15/16" | - | - | - | 28 1/4" | 1 3/16" | 1/2" |
| TF075 | 16" | 14 11/16" | 12 3/16" | - | - | - | 1 1/2" | 3/4" |
| | 20" | 20 1/4" | - | 17 3/4" | - | - | 1 1/2" | 3/4" |
| | 24" | 26 1/2" | - | - | 24" | - | 1 1/2" | 3/4" |
| | 30" & UP | 32 1/25" | - | - | - | 29 3/4" | 1 1/2" | 3/4" |

All packaging materials, thread protectors, plastic plugs and caps must be removed before installation. Dimensions are subject to change without notice, please confirm actual dimensions with factory at time of order.

JOB NAME _____
 LOCATION _____

 CONTRACTOR _____
 CONTRACTOR P.O. NO. _____

| ITEMS | QUANTITY |
|-------|----------|
| _____ | _____ |
| _____ | _____ |
| _____ | _____ |
| _____ | _____ |
| _____ | _____ |

American WHEATLEY
 HVAC PRODUCTS®
 A GFP COMPANY

2701 W. Concord Street
 Broken Arrow, OK 74012
 Toll Free: 866-204-5229
 PH: 918-317-0401
 FAX: 918-317-0407
 www.wheatleyhvac.com
 e-mail: sales@globalflowproducts.com