

# Wafer Style Non Slam Check Valve

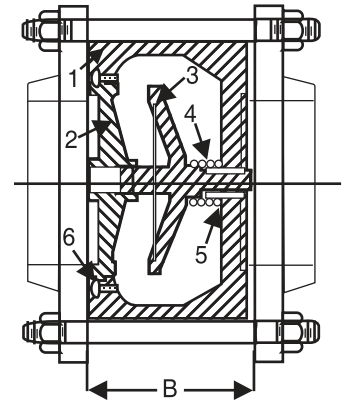
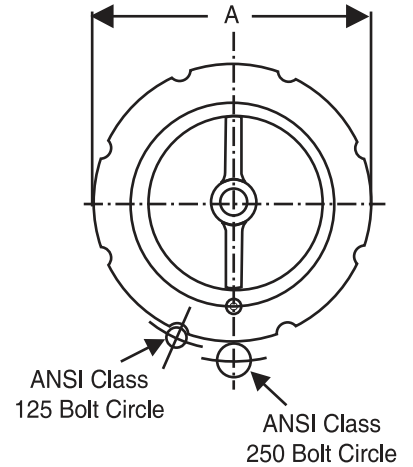
Engineered for silent operation, low head loss - plus....

**Features:**

- Designed to eliminate water hammer
- Low Pressure loss
- Provides maximum efficiency
- Compact design flange
- Valve activated at low psi, 1/4 - 1/2
- Sizes 2" - 16"
- 2" - 6" Dual rated 125 & 250 PSI

**Optional Features:**

- Trim Material
- Additional materials and pressure classifications available
- Larger sizes POA



ANSI CLASS 125 & 250				
PART NUMBER	SIZE	A	B	WEIGHT (lbs.)
SWB020	2"	4 1/4"	2 5/8"	6
SWB025	2 1/2"	5"	2 7/8"	7
SWB030	3"	5 3/4"	3 1/8"	12
SWB040	4"	7"	4"	18
SWB050	5"	8 3/8"	4 3/4"	27
SWB060	6"	9 3/4"	5 1/2"	42
ANSI CLASS 125				
SWB080	8"	13 3/8"	6 1/2"	85
SWB100	10"	16"	8 1/4"	146
SWB120	12"	16 3/8"	11 1/4"	C/F
SWB140	14"	18 7/8"	13 3/4"	C/F

**Bill of Materials**

Part No.	Part Name	Material
1	Body	Cast Iron
2	Seat	Bronze
3	Plug	Bronze
4	Spring	Stainless Steel
5	Bushing	Bronze
6	Screw	Stainless Steel

All packaging materials, thread protectors, plastic plugs and caps must be removed before installation.

Dimensions are subject to change without notice, please confirm actual dimensions with factory at time of order.

JOB NAME \_\_\_\_\_  
 LOCATION \_\_\_\_\_  
 \_\_\_\_\_  
 \_\_\_\_\_  
 CONTRACTOR \_\_\_\_\_  
 CONTRACTOR P.O. NO. \_\_\_\_\_

ITEMS	QUANTITY
_____	_____
_____	_____
_____	_____
_____	_____
_____	_____

**American WHEATLEY**  
HVAC PRODUCTS®  
A GFP COMPANY

2701 W. Concord Street  
 Broken Arrow, OK 74012  
 Toll Free: 866-204-5229  
 PH: 918-317-0401  
 FAX: 918-317-0407  
 www.wheatleyhvac.com  
 e-mail: sales@globalflowproducts.com

## Pressure Temperature Ratings

Temperature Degrees F.	Maximum Non-shock Service Pressure	
	ANSI B16.1 Flange Ratings	
	125 lb. Class 2" thru 14"	250 lb. Class 2" thru 6"
0-150	200	400
200	190	370
Test Pressure	300	600

Note: Stainless steel trim recommended for temperatures 180° - 200°F

## Pressure Drop Chart

