

# Flanged Dual Disc Non Slam Check Valve

### Features:

- Available in sizes 2" through 16"
- Ductile Iron bodies
- Flanged ends
- Low head loss
- Compact wafer design
- Stabilized disc and stop pins
- Non-slam closing characteristics
- Lift and pivot disc action
- Drop light seating at low and high pressures
- Painted Exterior

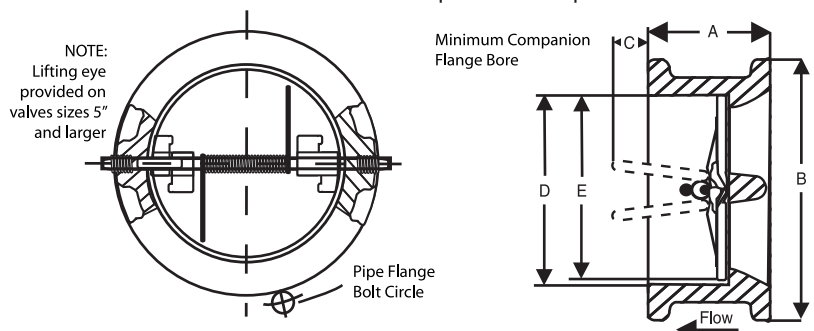


PART NUMBER	SIZES	HEIGHT A (IN.)	WIDTH B (IN.)	C (IN.)	MAX. COMP. FLANGE BORE D (IN.)	MIN. COMP. FLANGE BORE E (IN.)	*Cv	WEIGHT (LBS.)
SDDB 020	2"	2 1/8"	4 1/8"	3/8"	2 3/8"	2 1/4"	80	4
SDDB 025	2 1/2"	2 1/8"	4 7/8"	3/8"	2 15/16"	2 3/4"	90	6
SDDB 030	3"	2 1/4"	5 3/8"	3/8"	3 1/2"	3 1/4"	150	6
SDDB 040	4"	2 1/2"	6 7/8"	1"	4 1/2"	4"	300	12
SDDB 050	5"	2 3/4"	7 3/4"	1 3/4"	5 3/4"	4 3/4"	500	15
SDDB 060	6"	3"	8 3/4"	1 7/8"	6 1/2"	5 3/4"	900	20
SDDB 080	8"	3 3/4"	11"	2 1/2"	8 7/8"	8"	1,700	38
SDDB 100	10"	4 1/4"	13 3/8"	3 1/8"	10 1/2"	9 3/4"	3,000	56
SDDB 120	12"	5 5/8"	16 1/8"	4"	12 1/2"	11 5/8"	4,000	98
SDDB 140	14"	7 1/4"	17 3/4"	3 1/2"	14 1/2"	13 5/8"	5,350	145
SDDB 160	16"	7 1/4"	20 1/4"	4 5/8"	16 1/2"	15 3/8"	7,400	186

\*CV = The number of U.S. Gallons/minute of 60°F water that will flow thru the valve with a 1 PSI pressure drop across the valve.

### Bill of Materials

Part No.	Part Name	Material
1	Body	Ductile Iron
2	Disc	Stainless Steel
3	Seat Gasket	EPDM
4	Axle	Stainless Steel
5	Spring	Stainless Steel
6	Washer	Teflon



All packaging materials, thread protectors, plastic plugs and caps must be removed before installation. Dimensions are subject to change without notice, please confirm actual dimensions with factory at time of order.

JOB NAME \_\_\_\_\_  
 LOCATION \_\_\_\_\_  
 \_\_\_\_\_  
 \_\_\_\_\_  
 CONTRACTOR \_\_\_\_\_  
 CONTRACTOR P.O. NO. \_\_\_\_\_

ITEMS	QUANTITY
_____	_____
_____	_____
_____	_____
_____	_____
_____	_____

**American WHEATLEY**  
**HVAC PRODUCTS®**  
 A GFP COMPANY

2701 W. Concord Street  
 Broken Arrow, OK 74012  
 Toll Free: 866-204-5229  
 PH: 918-317-0401  
 FAX: 918-317-0407  
 www.wheatleyhvac.com  
 e-mail: sales@globalflowproducts.com

### ANSI Pressure Temperature Rating

SIZE	TEMPERATURE	MAX. NON-SHOCK PSI
125lb. Cast Iron	150°F	200
	200°F	190
	250°F	175
2"-16"	Test Pressure	350

PRESSURE	RATING	RATING
Normal	Class 125	Class 250
Sealing Test Pressure	255 PSI	398 PSI
Strength Test Pressure	348 PSI	543 PSI
Suitable Temperature C	NBR: 14°F - + 176°F	
	EPDM: 14° -+ 248°F	
Medium	fresh water, sea water, waste water, food stuff	
	steam, oil, weak acid & alkaline liquid, etc.	

All packaging materials, thread protectors, plastic plugs and caps must be removed before installation.

Dimensions are subject to change without notice, please confirm actual dimensions with factory at time of order.