

Lug Style Butterfly Valve - Gear

American Wheatley Butterfly Valves are designed for commercial and industrial application up to 225 PSI.

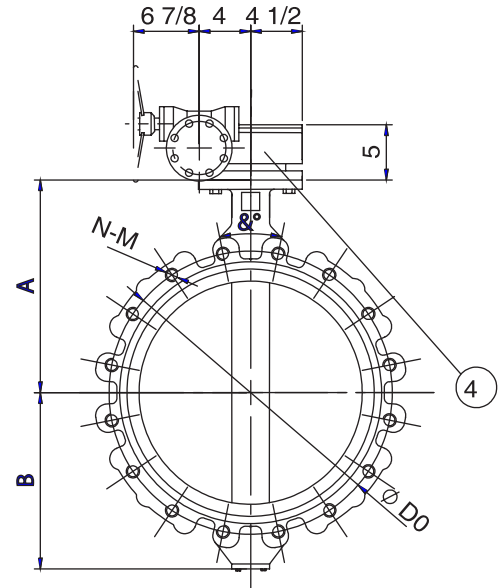
Features:

American Wheatley Butterfly Valves are designed for commercial and industrial application up to 200 PSI.

- Standard EPDM seat
- Meets MSS-SP-67 & API 609
- 250# WOG rated
- Maximum 200°F operating temperature (225°F intermittent)
- Seat to flange seal eliminates the need for flange gaskets
- Designed for direct actuator mounting with ISO 5211 mounting
- Available with 10 position lever handle or gear operator

Optional Features:

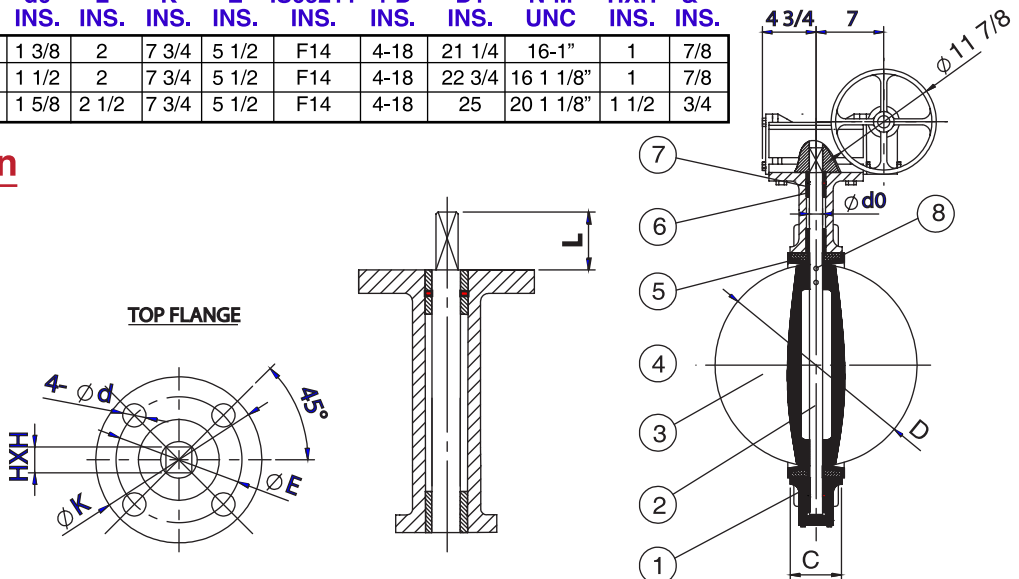
- PTFE and BUNA Viton seat available
- Dead end service



PART NUMB	SIZE	A INS.	B INS.	C INS.	D INS.	d0 INS.	L INS.	K INS.	E INS.	IS05211 INS.	4-D INS.	D1 INS.	N-M UNC	HXH INS.	&° INS.
BFV-160G	16"	15 3/4	12 1/8	3 3/8	15 3/8	1 3/8	2	7 3/4	5 1/2	F14	4-18	21 1/4	16-1"	1	7/8
BFV-180G	18"	16 5/8	12 7/8	4	17 3/8	1 1/2	2	7 3/4	5 1/2	F14	4-18	22 3/4	16 1 1/8"	1	7/8
BFV-200G	20"	18 7/8	14 1/4	5	19 3/8	1 5/8	2 1/2	7 3/4	5 1/2	F14	4-18	25	20 1 1/8"	1 1/2	3/4

Materials of Construction

8	Pin	SS316
7	O-Ring	EPDM
6	Bushing	PTFE
5	Seat	EPDM
4	Gear	Cast Iron
3	Disc	CF8M
2	Stem	SS410
1	Body	GGG40



JOB NAME _____
 LOCATION _____

 CONTRACTOR _____
 CONTRACTOR P.O. NO. _____

ITEMS	QUANTITY
_____	_____
_____	_____
_____	_____
_____	_____
_____	_____