



Air Release Valve

Features:

- NPT Threads
- Provides air release at high points in the system
- Maximum working pressure 232 psi
- Maximum working temperature 14° to 248° F
- 1/16" Orifice
- Sizes 1/2", 3/4" and 1"

Optional Features:

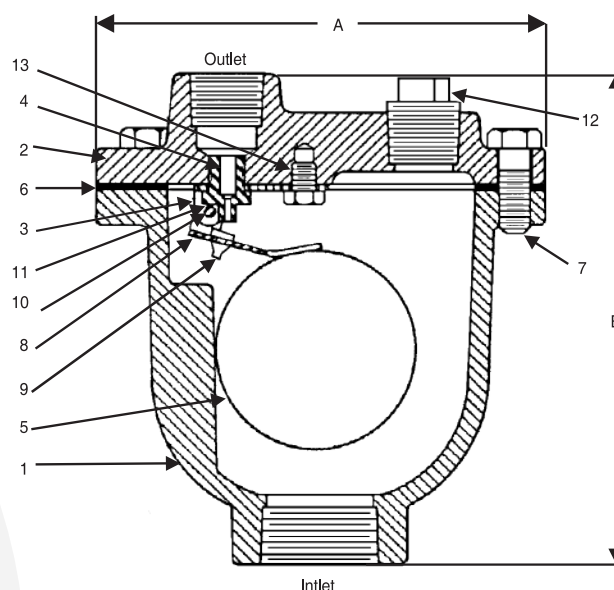
- Metric thread of inlet



PART NUMBER	VALVE SIZE	WIDTH A (IN.)	HEIGHT B (IN.)	INLET SIZE	OUTLET SIZE
ARV0050	1/2"	4 3/4"	5 1/4"	1/2" NPT	1/2" NPT
ARV0075	3/4"	4 3/4"	5 1/4"	3/4" NPT	1/2" NPT
ARV0100	1"	4 3/4"	5 1/4"	1" NPT	1/2" NPT

Bill of Materials

Part No.	Part Name	Material
1	Body	Cast Iron ASTM A126, Class B
2	Cover	Cast Iron ASTM A126, Class B
3	Lever Frame	Stainless Steel T304, ASTM A240
4	Seat	Stainless Steel T304, ASTM A276
5	Float	Stainless Steel T304, ASTM A276
6	Gasket	Garlock #3000 (Non-asbestos)
7	Cover Bolt	Alloy Steel SAE Grade 5
8	Float Arm	Stainless Steel T304, ASTM A240
9	Orifice Button	Viton
10	Pivot Pin	Stainless Steel T303, ASTM A276
11	Pine Retainer	Stainless Steel PH 15-7 MO
12	Pipe Plug	Malleable Iron
13	Locator	Stainless Steel T18-8, ASTM A276



All packaging materials, thread protectors, plastic plugs and caps must be removed before installation.

Dimensions are subject to change without notice, please confirm actual dimensions with factory at time of order.



2701 W. Concord Street
Broken Arrow, Ok 74012

Toll Free: 866-204-5229 | PH: 918-317-0401 | FAX: 918-317-0407
www.wheatleyhvac.com | sales@globalflowproducts.com