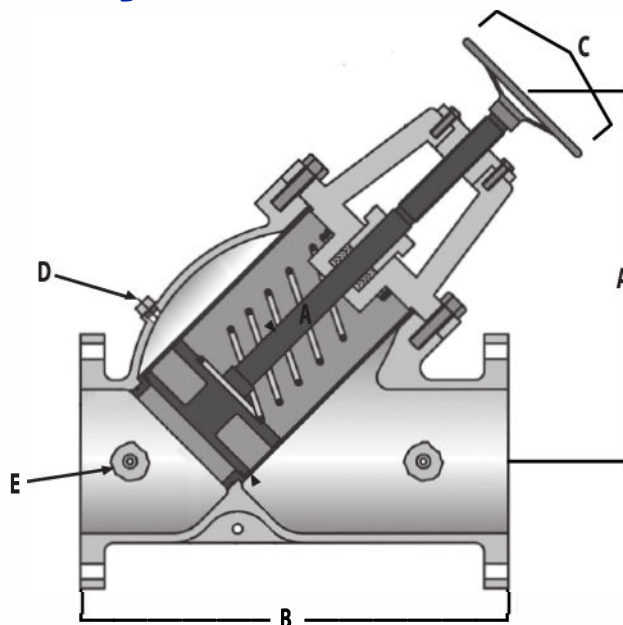


# Globe Style Triple Duty Valve

## Features:

- Available 2.5" through 16"
- 3 valves in one: Shut off valve-Check valve-Balance valve
- ANSI B16.10 Flat Face Flanges
- Spring assisted disc ensures quiet operation and prevents water hammer
- Cast Iron A 126-B Body
- Seat & Seal EPDM Material
- 200 (13.79) M.A.W.P. PSG (Bars) Sizes <=12"; 150 (10.34) Sizes >=14"
- 125°F 121°C



PART NUMBER	SIZE		HEIGHT A		LENGTH B		HANDLE WIDTH C		D N.P.T.		E N.P.T.		WEIGHT	
	(IN.)	(MM)	(IN.)	(MM)	(IN.)	(MM)	(IN.)	(MM)	(IN.)	(MM)	(IN.)	(MM)	(LBS)	(KG)
TDV-002GL	2"	50	9 3/16	233	8 3/8	213	6 1/4	159	1/2	15	1/4	8	33	15
TDV-025GL	2 1/2"	65	9 5/8	245	9 7/8	251	6 1/4	159	1/2	15	1/4	8	42	19
TDV-003GL	3"	80	10 3/8	264	10	254	9 3/8	238	1/2	15	1/4	8	59	27
TDV-004GL	4"	100	13 5/16	338	14 1/2	368	9 3/8	238	1/2	15	1/4	8	104	47
TDV-005GL	5"	125	15 3/16	385	16	406	11	279	1/2	15	1/4	8	170	77
TDV-006GL	6"	150	16 7/8	429	18	457	11	279	3/4	20	1/4	8	202	92
TDV-008GL	8"	200	21 1/8	537	21 1/2	546	12 1/2	317	3/4	20	1/4	8	280	127
TDV-010GL	10"	250	25 1/4	641	25 1/2	648	12 1/2	317	1	25	1/4	8	422	191
TDV-012GL	12"	300	27 1/8	688	30	762	12 1/2	317	1	25	1/4	8	816	370
TDV-014GL	14"	350	29 5/8	753	30 3/8	762	12 1/2	317	1	25	1/4	8	1112	504
TDV-016GL	16"	400	42 13/16	1087	37	772	12 1/2	317	1	25	1/4	8	1478	670
TDV-018GL	18"	450	46 3/16	1174	41	1048	15 7/8	406	1	25	1/4	8	1500	680

**NOTE:** B Dimensions are given in full open position.

Valve must be installed with stem/handle in the upward position.

All packaging materials, thread protectors, plastic plugs and caps must be removed before installation.

Dimensions are subject to change without notice, please confirm actual dimensions with factory at time of order.





**Bill of Materials**

ITEM NUMBER	DESCRIPTION	MATERIAL
1	Valve Body	A 126-B Cast Iron
2	Cover Flange	A 126-B Cast Iron
3	Valve Disc	A536 Nickel Plated*
4	Valve Stem	Type 410 Stainless Steel
5	Valve Seat Guild	A536 Nickel Plated Ductile Iron
6	Flange Gland	A 126-B Cast Iron
7	Packing	Non-Asbestos
8	Valve Spring	300 Series Stainless Steel
9	Packing Gland	A 126-B Cast Iron
10	Valve Stem Guide	A536 Ductile Iron
11	Valve Seat Ring	A536 Nickel Plated Ductile Iron
12	Valve Seat Seal	EPDM O-Ring
13	Valve Disc Seat	EPDM O-Ring

\*Optional Material B62 Bronze

