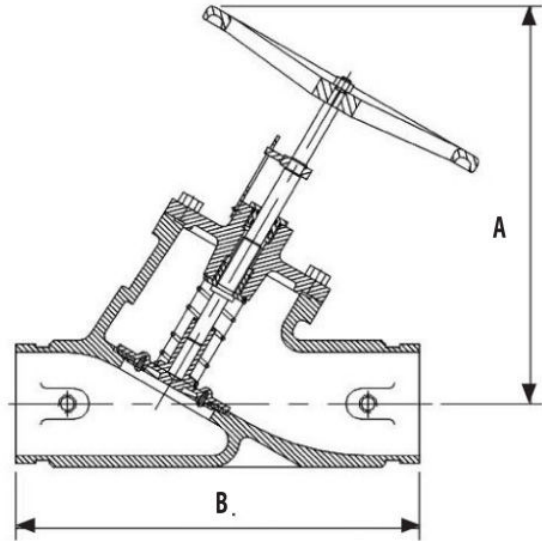




TRIPLE DUTY VALVE (GROOVED END) GLOBE STYLE

Features:

- Sizes 2" to 12"
- Flow Regulator Valve
- Back Flow Preventor
- Positive Shutoff Valve
- HWO Operated
- Grooved End according to AWWA C606
- 16 Bar or 200WOG Working Pressure
- External and internal parts Epoxy Powder coated



MODEL NO	SIZE		HEIGHT A		LENGTH B	
	(IN)	(MM)	(IN)	(MM)	(IN)	(MM)
TDV-002GR	2	50	11 3/4	300	9	230
TDV-025GR	2 1/2	65	12 5/8	300	11 7/16	290
TDV-003GR	3	80	13 3/4	300	12 13/16	310
TDV-004GR	4	100	17 7/8	300	13 3/4	350
TDV-005GR	5	125	20 5/16	300	15 3/4	400
TDV-006GR	6	150	20 1/2	300	18 7/8	480
TDV-008GR	8	200	27 15/16	300	23 5/8	600
TDV-010GR	10	250	34 1/4	300	28 3/4	730
TDV-012GR	12	300	39 3/8	300	33 1/2	850

BILL OF MATERIALS

DESCRIPTION	MATERIAL
Body and Yoke	DI, ASTM A536 Gr 65-45-12
Disc	Stainless Steel, SS304
Gasket	EPDM
Disc Spring	EPDM
Spring	Stainless Steel, SS304
Handwheel	CI, ASTM A126 Class B
Indicator	Aluminum
Indicator Plate	Aluminum



2701 W. Concord Street
Broken Arrow, Ok 74012
Toll Free: 866-204-5229 | PH: 918-317-0401
americanwheatley.com | sales@americanwheatley.com

