



WBF Large Series ASME Bottom Feed Expansion Tank

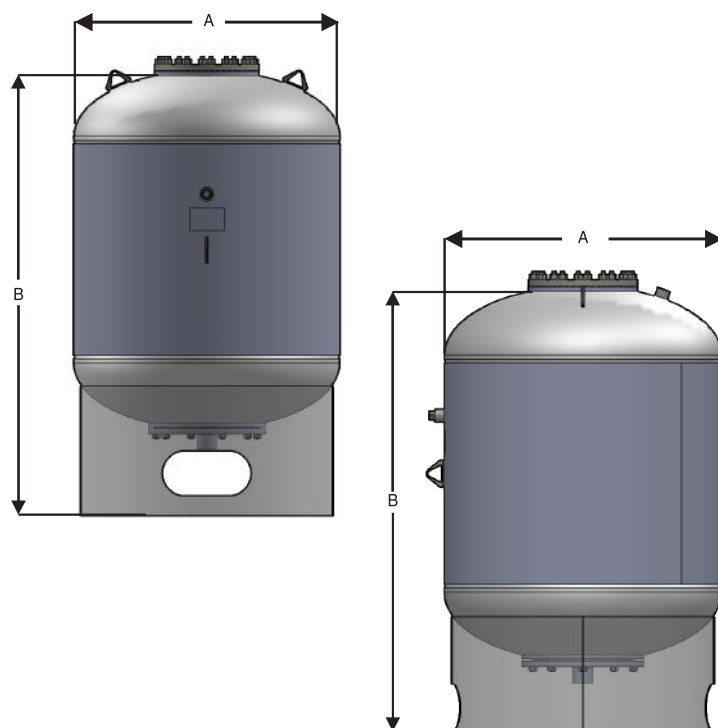
Full Acceptance

Features:

- Constructed in accordance with ASME Section VIII, Division I, Latest Edition
- Heavy Duty Butyl Bladder - NSF 61 Approved - Field Replaceable
- Fully Adjustable Field Air Charging
- Factory Air Charged to 12 P.S.I.
- Primed Exterior

Optional Features:

- Trimmed for Potable Water
- "Bulls Eye" sight glass
- Seismic mounting (clips or legs)
- EPDM Bladder Material
- Higher pressures available upon request
Tank dimensions will not change
- Painted Exterior, Epoxy Coatings



All packaging materials, thread protectors, plastic plugs and caps must be removed before installation.

Dimensions are subject to change without notice, please confirm actual dimensions with factory at time of order.

Standard design pressure 125 PSI
Maximum design temperature 240°F with Butyl Bladder

PART NUMBER	ACCEPTANCE VOLUME	DIAMETER A (IN.)	HEIGHT B (IN.)	SYSTEM CONNECT (IN.)	WEIGHT (LBS)	WORKING PRESSURE
WBF2500	660	48"	103 3/4"	3"	2000	125 PSI
WBF3000	792	54"	104"	3"	2400	125 PSI
WBF4000	1050	54"	124"	3"	3200	125 PSI
WBF5000	1320	60"	136"	3"	3600	125 PSI
WBF6000	1590	60"	140"	3"	4000	125 PSI
WBF7500	1980	60"	187 1/2"	3"	4500	125 PSI
WBF8000	2100	72"	134"	3"	4600	125 PSI
WBF10000	2640	72"	183"	3"	4845	125 PSI



2701 W. Concord Street
Broken Arrow, Ok 74012

Toll Free: 866-204-5229 | PH: 918-317-0401 | FAX: 918-317-0407
www.americanwheatley.com | sales@americanwheatley.com



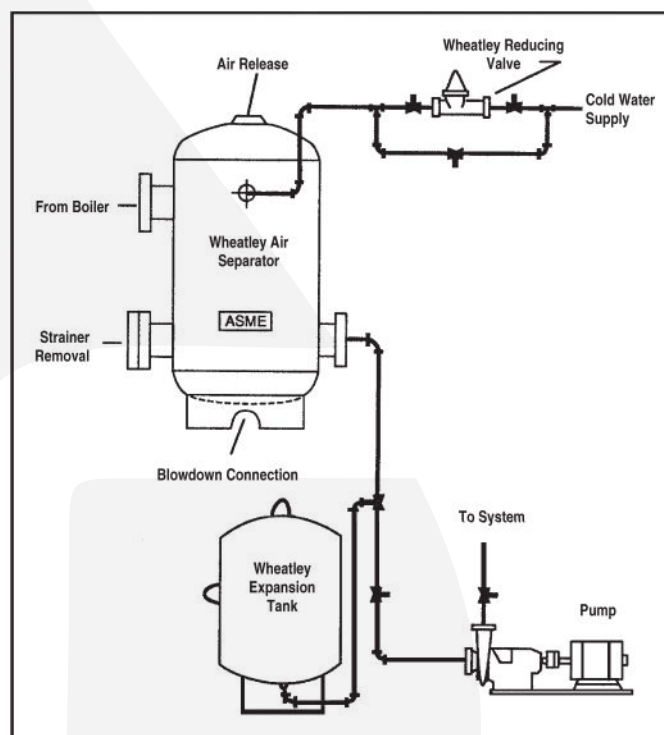
USE:

Designed to absorb expansion of fluids in typical hydronic systems. The WBF Tank is designed for pressure boost systems as well as typical cooling and heating applications. Bladder material is suitable for hot water applications. Installation of the tank will help eliminate constant pump use, prolonging pump life and unnecessary blowing of relief valves.

Specifications:

Furnish and install and shown on plans, American Wheatley WBF series, full acceptance expansion tank. Tank shall be constructed of carbon steel in accordance with ASME Section VIII, Division 1, latest edition. Tank shall incorporate a removable and replaceable heavy duty EPDM bladder. Tank shall be supplied with 12 psi factory air charge. Tanks shall be supplied on standard base ring unless otherwise specified. Tanks shall be constructed and ASME stamped for 125 psi working pressure at 240°F. Tanks shall be supplied with exterior high grade red oxide primer finish. Vertical or horizontal installation is acceptable. Non-replaceable diaphragm type tanks are not acceptable.

Typical Piping Details With Bladder Type Tanks (WBF Series)



2701 W. Concord Street
Broken Arrow, Ok 74012
Toll Free: 866-204-5229 | PH: 918-317-0401 | FAX: 918-317-0407
www.americanwheatley.com | sales@americanwheatley.com

