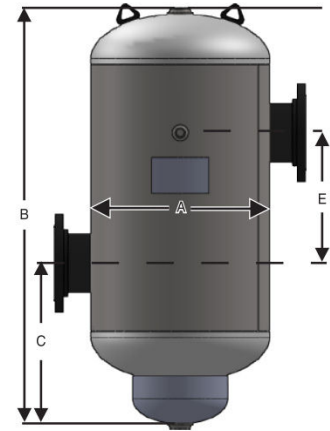
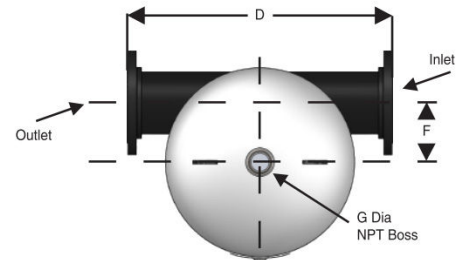




# Sediment Removal Separator

The Sediment Removal Separator is designed to remove undissolved sediment and entrained air from cooling towers, along with hot and chilled hydronic installations. The Tangential design optimizes sediment removal with its vortex action that forces the sediment to the outside and into the bottom sump for removal. The air is released upward to the air release valve giving the dual capabilities of a dirt and air separator.



## Features:

- Constructed in accordance with ASME Section VIII, Division I, Latest Edition
- Carbon Steel Construction
- Design Pressure: 125 PSI
- Max Design Temperature: 350Q
- Removes Sediment and Entrained Air Tangential Design
- Higher Pressures Available thru 300 PSI
- Larger Sizes Available

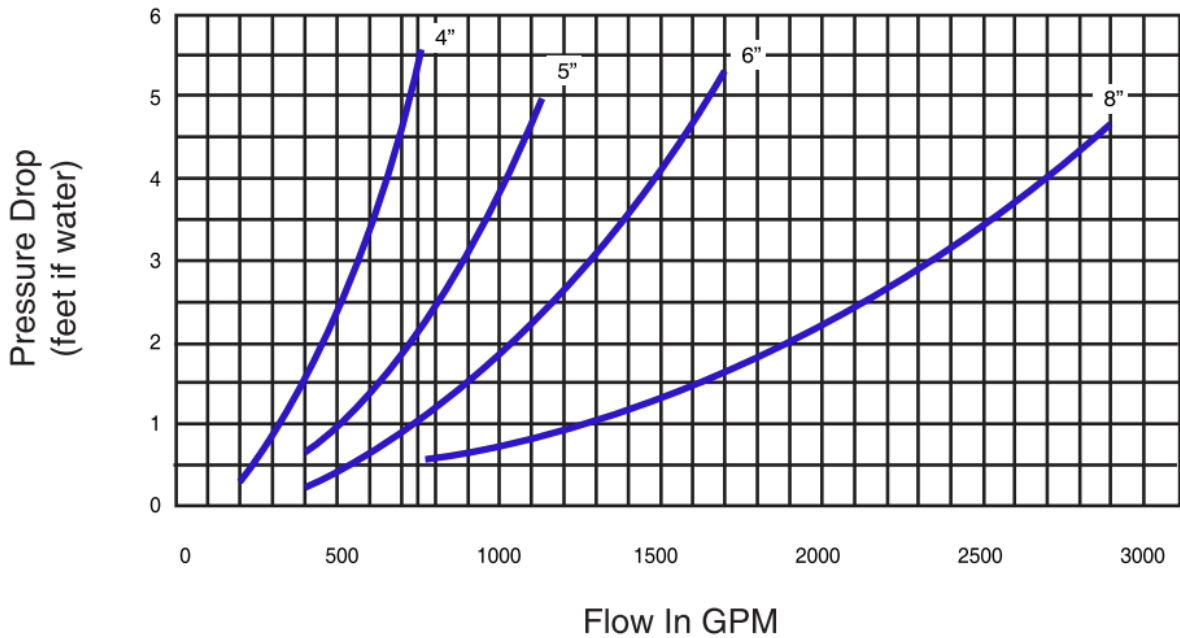
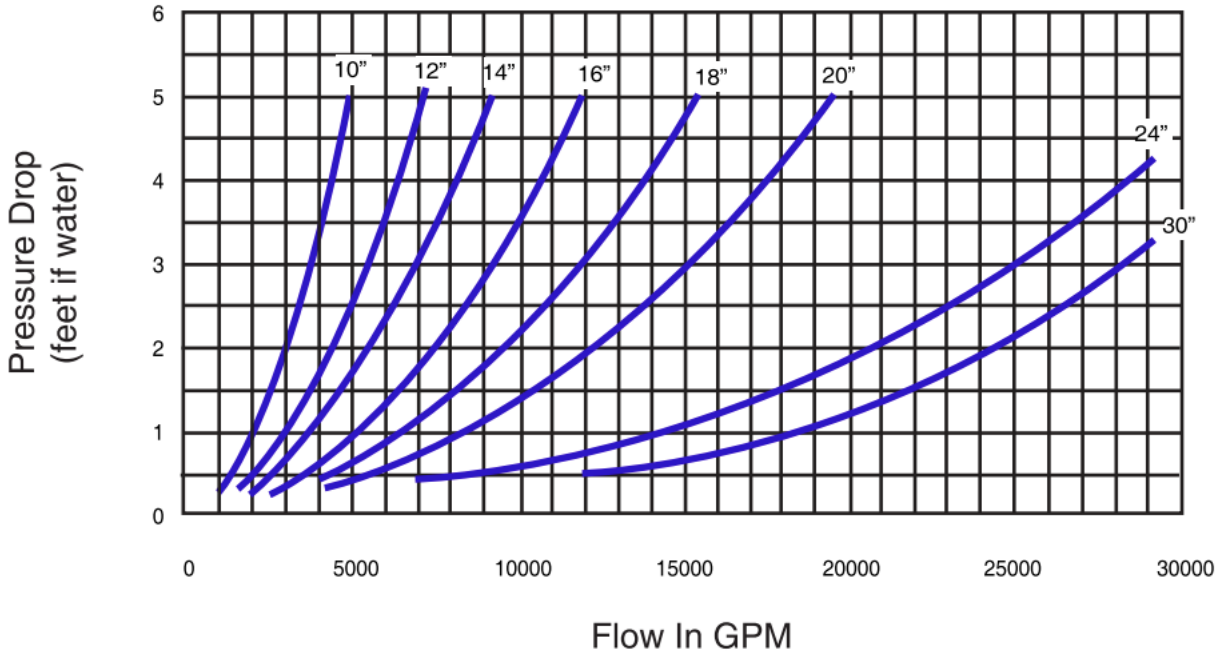
*All packaging materials, thread protectors, plastic plugs and caps must be removed before installation.*

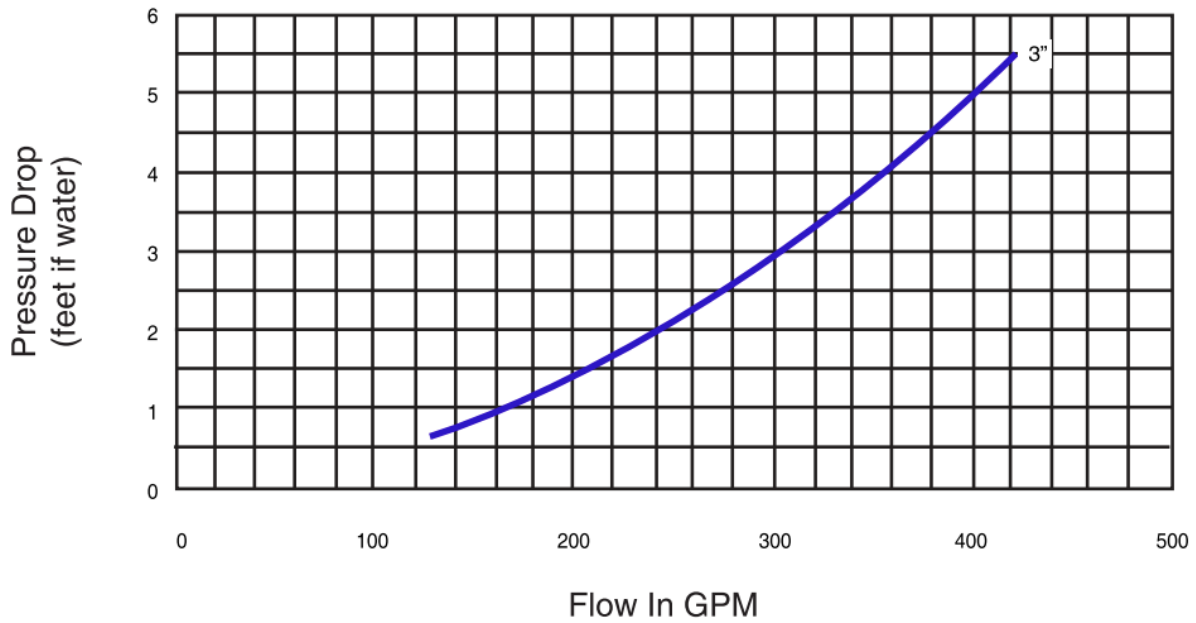
*Dimensions are subject to change without notice, please confirm actual dimensions with factory at time of order.*

| PART NUMBER | SIZE | DIAMETER A (IN) | HEIGHT B (IN) | FLANGE TO BASE C (IN) | FLANGE TO FLANGE D (IN) | FLANGE CTR TO TOP E (IN) | FLANGE CTR TO CTR LINE F (IN) | NPT CONNECTION |
|-------------|------|-----------------|---------------|-----------------------|-------------------------|--------------------------|-------------------------------|----------------|
| SRS-03      | 3"   | 12              | 22            | 8                     | 19 3/4                  | 8                        | 3 3/4                         | 1"             |
| SRS-04      | 4"   | 14              | 32            | 12 1/8                | 21 3/4                  | 10 3/4                   | 4 1/4                         | 1 1/2"         |
| SRS-05      | 5"   | 14              | 32            | 12 1/8                | 21 3/4                  | 10 3/4                   | 3 3/4                         | 1 1/2"         |
| SRS-06      | 6"   | 20              | 45            | 17 3/4                | 28                      | 14 1/2                   | 6 1/4                         | 1 1/2"         |
| SRS-08      | 8"   | 20              | 45            | 17 3/4                | 28                      | 14 1/2                   | 5 3/16                        | 1 1/2"         |
| SRS-10      | 10"  | 30              | 63            | 22 3/4                | 41                      | 20                       | 9 1/8                         | 2"             |
| SRS-12      | 12"  | 30              | 63            | 22 3/4                | 41                      | 20                       | 8 1/8                         | 2"             |



2701 W. Concord Street  
 Broken Arrow, Ok 74012  
 Toll Free: 866-204-5229 | PH: 918-317-0401  
 americanwheatley.com | sales@americanwheatley.com





### ELIMINATION EFFICIENCY OF AIR & SEDIMENT

